



CONICAL FLOODLIGHT MASTS

Technical description

Find the right type of mast for your project. With a detailed description of our standard products CA06, CRC1-2 & CRL3, it is easy to find the right mast.

DAV NORDIC is happy to assist in finding a custom solution that perfectly matches your individual requirements. Together with our experienced suppliers, we can complete projects while maintaining standards.

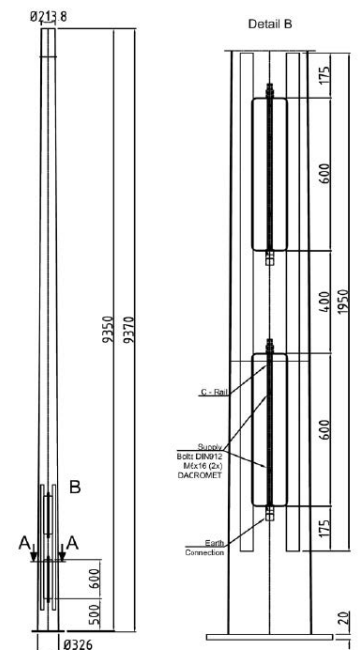
We also design custom masts to achieve optimal harmony between the mast and its surroundings.

Tall conical masts

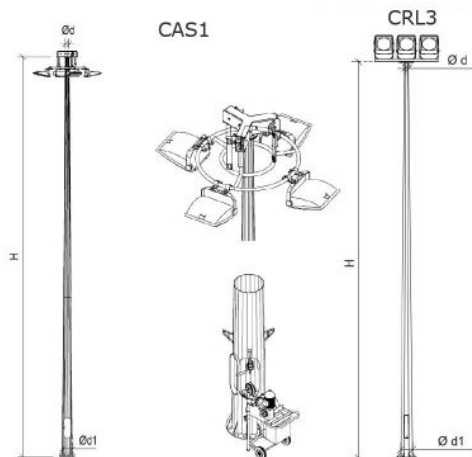
Conical floodlight masts are suitable for lighting sports facilities, harbours, airports, etc. These tall masts are designed for mounting cross arms, platforms and single luminaires.

With the right approach, tall masts can be used everywhere—from stadiums and local artificial turf pitches to airport areas and harbours, even where space is limited. The masts are available with climbing steps, ladders, mid-hinged or raise/lower systems.

All DAV NORDIC tall masts are conical in shape and therefore have minimal visual impact on the landscape.



STANDARD TYPES

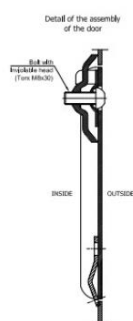
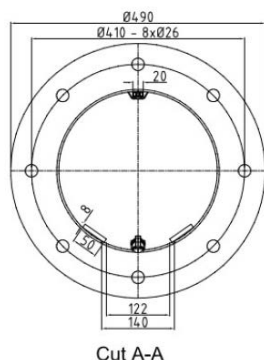


Standard CA06

- Top Ø 76 mm & max top load 100 kg
- Height: 15 m, 16 m & 18 m
- Base flange Ø 370 mm & 420 mm
- Door height above ground: 450 & 500 mm
- Polygonal conical

Standard-CRC1,2 & CRL3

- Top Ø 100 mm & max top load 150 kg
- Height: 15–25 m
- Base flange Ø 390, 410, 420 & 500 mm
- Door height above ground: 500 mm
- Circular & polygonal conical



Standard mid-hinged masts

- BM & BMT
- Top Ø 60–111 mm
- Height: 5.5–25 m
- Door height above ground: 500 & 600 mm
- Circular & polygonal conical
- Load capacity up to 200 kg

Raise and lower masts

- Type: CAS1–6
- Height: 15–40 m
- Base flange Ø 587–1090 mm
- Door height above ground: 700 mm
- Polygonal conical
- Load capacity up to 500 kg

Alle DAV NORDIC's Rund- polygonal- & oktogonal-koniske projektørmaster fremstilles i varm-forzinket stål i.h.t. DS/ EN ISO 1461 og er CE-mærkede. Høje master er belastningsberegnet i.h.t Eurocode 1 herunder nationalt vindindex for Danmark. Høje koniske master leveres fra 15 til 25 meter som standardmaster, se data tabel. Op til 100 meters højde produceres efter specialordre.

Master kan leveres lakeret i valgfri RAL-farve, pulverlakeret eller vådlakeret i.h.t. EN 12499. Kan også fås med toplak anti stickerog anti graffiti overfladebehandling i.h.t. ASTM D6578 normen, for ekstra god levetid og minimal vedligeholdelse. DAV NORDIC's master leveres med minimum 60 my galvanisering, og har dermed en levetid på minimum 25 år i C3 miljø.

Alle høje master leveres med fodflange for på-boltning på insitu støbt betonfundament. Høje master er udført i minimum 2 dele og optimerer således transport, opsætning og opbevaring.

CONICAL FLOODLIGHT MASTS



Products

DAV has a large selection of tall masts in addition to the masts represented in the standard range; with possibility for different combinations of height and load capacity.

Masts from 25 metres up to 100 metres are produced on order as special masts. Design masts are produced on request. Masts above 25 metres are delivered directly from the factory. DAV can supply masts with low deflection that comply with both RF radio link & camera requirements.

Variants

All masts can be supplied with climbing steps and safety line. The masts can depending on construction carry platforms, galleries and cross arms.

Transport

Both circular conical (RK) and polygonal conical (PK) masts are delivered in sections of max. 12 metres, and can therefore be transported on a standard 12.6 m trailer. Complete installation instructions are supplied with the masts.

Foundation bolts

Standard bolt is L 900x100 or J 800x200 (1000) mm. For M20 bolt use EL-no.:

5310730256 EAN: 5703390440801 which includes 3 nuts and 2 oversize washers according to EN 40 for masts up to and including 18 m.

CONICAL FLOODLIGHT MASTS

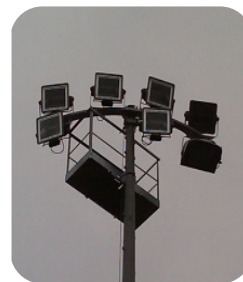
Top accessories

DAV NORDIC offers a large assortment of solutions for tall masts. Luminaires and special challenges are solved with a gallery or one or more cross arms.

Cross arms are available in many designs, so that the correct lighting as well as aesthetic expression can be achieved.

For maintenance of larger solutions, platforms can be recommended.

Cable routing is carried out either with top cap or with downward-facing cable outlets.



Accessibility

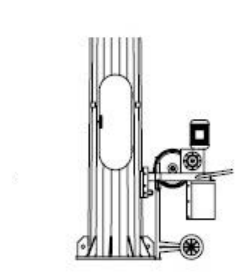
Steps: For masts where access to the top is required, there are different steps, all of which can be supplied with safety line and barrier.

Hinged mast (tilt)

These masts tilt around the middle so that future maintenance can be carried out by one person without need for crane. Also available with Hydrolink for bottom-hinged masts.

Raise and lower

Type "CAS" In addition to DAV NORDIC's standard tall masts, "Raise and lower" masts are also available. On the masts the lighting is hoisted up and down by means of a simple mechanism. Thus there is no need either to lower the mast or climb it.



Stability

Masts can on request be supplied with up to 3 doors, for increased access to both electrical connections and for maintenance.

Foundation bolts for cast-in-place foundation can be adapted to the specific mast. See guide and foundation proposal for further information.

DAV NORDIC can on request advise regarding design and choice of foundation. Always use grease caps for protection of foundation bolts.



The following types of standard circular conical (RK) & polygonal conical (PK) floodlight masts

EAN no. / EL no.	Name	Mast type	Height.	Top load m ² / kg	Top/Bot-tom (Ø)	Bolt dia x bolts (Ø)	Door height / size x width (mm)	Template set with bolts	M (kN.m)/ T (kN)
5703390398263 / 5310732860	CA06	PK	15	1,49 / 100	76 / 293	370x8 M20	450 / 600x 150	10732529	61,00 / 6,92
5703390398287 / 310732861	CA06	PK	16	1,47 / 100	76 / 308	420x8 M20	500 / 600x 150	10732535	67,83 / 7,73
5703390398270 / 5310732862	CA06	PK	18	1,43 / 100	76 / 338	420x8 M20	500 / 600x 150	10732535	82,88 / 9,47
5703390398317 / 5310732863	CD01	PK	18	1,42 / 120	76/346	440x8 M20	500/600x 150	10732546	83,85 / 8,00
5703390398027 / 5310732815	CRC1	RK	15	0,95 / 150	100/270	390 x 8 M20	500 / 600 x 140	10732530	72,20 / 5,80
5703390398034 / 5310732816	CRC1	RK	16	0,92 / 150	100/282	390 x 8 M20	500 / 600 x 140	10732530	78,71 / 6,25
5703390398041 / 5310732818	CRC1	RK	18	0,85 / 150	100/306	410 x 8 M20	500 / 600 x 140	10732530	97,74 / 7,43
5703390398058 / 5310732810	CRC1	RK	20	0,78 / 150	100/330	430 x 8 M22	500 / 600 x 140	10732473	124,52/8,87
5703390398096 / 5310732825	CRC2	RK	15	1,30 / 150	120/290	410 x 8 M20	500 / 600 x 140	10732531	83,95 / 6,66
5703390398102 / 5310732826	CRC2	RK	16	1,28 / 150	120/302	410 x 8 M20	500 / 600 x 140	10732531	97,29 / 7,18
5703390398119 / 5310732828	CRC2	RK	18	1,16 / 150	120/326	430 x 8 M22	500 / 600 x 140	10732473	107,00/8,16
5703390398126 / 5310732820	CRC2	RK	20	1,07 / 150	120/350	430 x 8 M22	500 / 600 x 140	10732473	130,60/9,53
5703390398133 / 5310732835	CRL3	PK	15	1,82 / 150	100/330	420x12M20	500 / 600 x 180	10732536	114,77/8,09
5703390398140 / 5310732836	CRL3	PK	16	1,82 / 150	100/346	420x12M20	500 / 600 x 180	10732536	126,21/8,70
5703390398324 / 5310732837	CRL3	PK	18	1,79 / 150	100/378	520x12M20	500 / 600 x 180	10732475	150,85/10,01
5703390398164 / 5310732830	CRL3	PK	20	1,75 / 150	100/410	520x12M20	500 / 600 x 180	10732533	177,63/11,41
5703390398171 / 5310732832	CRL3	PK	22	1,68 / 150	100/442	550x12M22	500 / 600 x 180	10732476	207,17/12,92
5703390398188 / 5310732834	CRC3	PK	25	1,56 / 150	100/480	630x12M22	500 / 600 x 180	10732479	154,62/15,33

STANDARD MID-HINGED MASTS

Type BM: Light mast with pulley for manual operation of the mast's tilting function.

Type BMT: Heavy mast with manually or electrically operated winch for operation of the mast's tilting function.

EAN no. / EL no.	Mast type	Hot. (mm)	Specification	Top load m ² / kg	Top/Bot-tom (Ø)	Bolt	Footflange c/c (mm)	Door height / size	M [kNm]	T [kN]
5310734010	BM RC	5,5	Roundconical	40 kg/0,89 m ²	60/150	16/14x300	200	500	631	155
5310734011	BM RC	8	Roundconical	43 kg/0,67m ²	60/167	20/18x400	300	500	1119	205
5310734013	BM RC	9	Roundconical	45 kg/0,64 m ²	60/182	20/18x400	300	500	1404	235
5310734014	BM RC	10	Roundconical	45 kg/0,61 m ²	60/200	20/18x400	300	500	1598	255
5310734040	BM RC	12	Roundconical	49 kg/0,56 m ²	60/235	20/18x400	300	500	2213	322
5310734039	BMT RC	10	Roundconical (For camera)	120 kg/1,56 m ²	89/267	20/18x400	300	500	2582	334
5310734027	BMT RC	12	Roundconical	129 kg/1,86 m ²	89/256	25/24x600	300	500	4103	431
5310734036	BMT RC	14	Roundconical	92 kg/0,95 m ²	89/256	25/24x600	300	500	3584	365
5310734055	BMT P	15	Polygonal	121kg/3,37 m ²	150/342	12xD 25/24x820	Ø430	500	10143	997
5310734056	BMT P	16	Polygonal	100 kg/2,54 m ²	137/342	12xD 25/24x820	Ø430	500	9891	958
5310734057	BMT P	18	Polygonal	172 kg/2,10 m ²	37/368	12xD 25/24x820	Ø450	500	11667	1089
5310734058	BMT P	20	Polygonal	174 kg/1,95 m ²	137/395	12xD 25/24x820	Ø470	500	13932	1226
5310734059	BMT P	22	u	178 kg/2,69 m ²	162/462	16xD 25/24x820	Ø550	500	19954	1575
5310734069	BMT P	23	u	182 kg/3,52 m ²	190/504	20xD 25/24x820	Ø590	500	25229	1854
5310734070	BMT P	25	Polygonal	133 kg/2,25 m ²	162/504	20xD 25/24x820	Ø590	500	23451	1769
5310734052	BMT PA	18	u	71 kg/1,47 m ²	110/342	12xD 25/24x820	Ø430	500	8787	877
5310734053	BMT PA	20	u	126 kg/1,17m ²	110/368	12xD25/24x820	Ø 450	500	10111	9172
5310734015	BMT-MW		Manual winch					21		
5310734018	BMT-EW		Motor winch					32		

*) Top load (m²/kg) is stated for 24 m/s according to EN 40. Other masts according to EUROCODE 1 - terrain category II - agricultural land with shelterbelts, scattered farm buildings, houses or trees. For other wind speeds, terrain categories or additional information, see datasheets.

DAV NORDIC A/S
Tietgensvej 12
DK-8600 Silkeborg

DAV NORDIC A/S
Pilebækvej 5
DK-4632 Bjæverskov

DAV NORDIC A/S
+45 86822900
info@davnordic.dk

