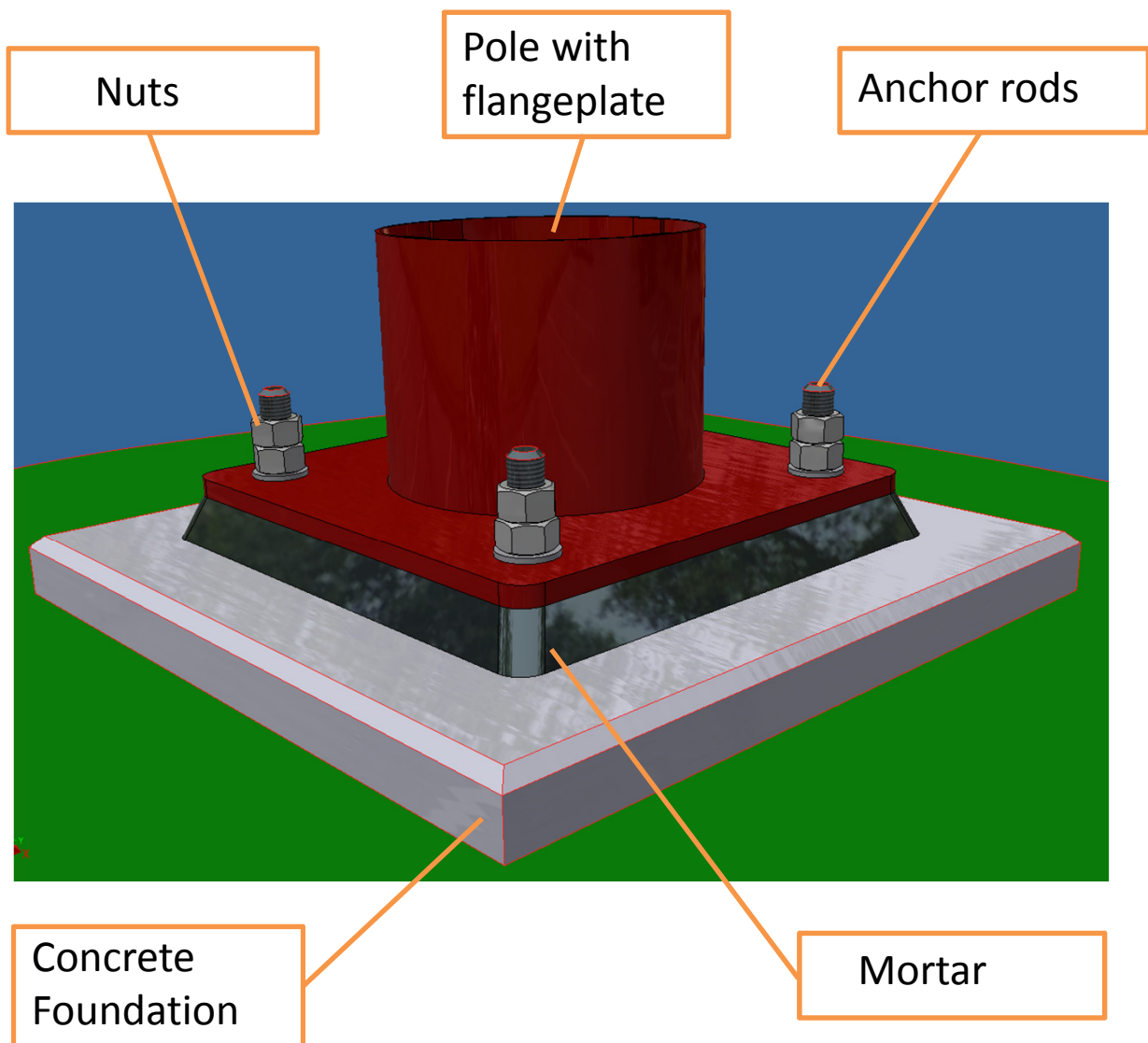
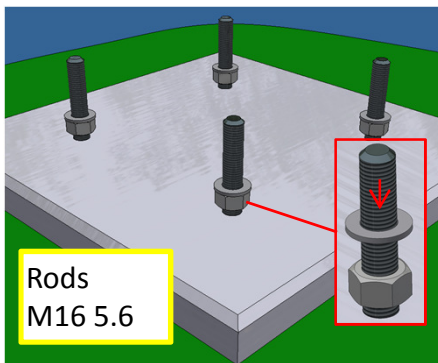


Mounting instruction ProTec Pole with flangeplate



Husk at tjekke, om mast og fundament passer sammen!

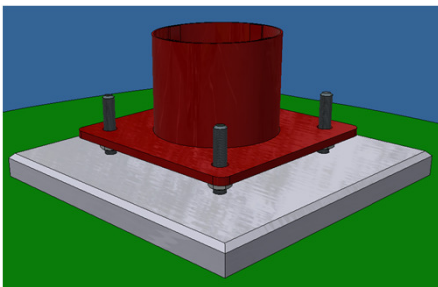
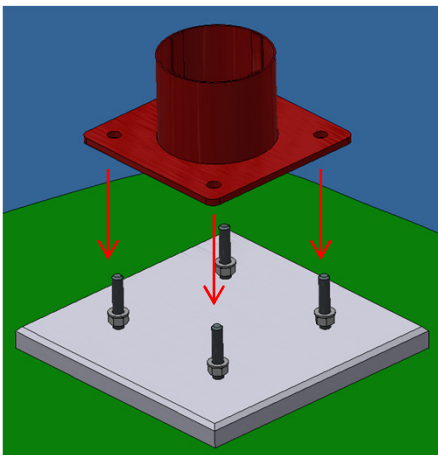


1. Aligning of nuts

Screw the nuts and washers onto anchor rods and level them out horizontally.

2. Erect pole

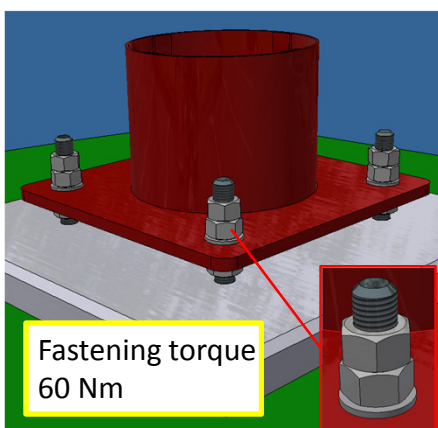
Sit flange plate onto levelled out nuts. If necessary, readjust nuts.



3. Screwing of flangeplate

Put one washer and two bolts on each rod and screw them hand-tight.

Fasten with torque wrench at about 60 Nm.



4. Grouting of gap

Filling of gap between flangeplate and foundation with low-shrink mortar.

